

WHITE PAPER

IR in surveillance

Day-and-night cameras and OptimizedIR

April 2023

Summary

Day-and-night cameras

- Cameras with *day-and-night* functionality can use infrared (IR) light for imaging. Their sensor detects visible light but also IR light with wavelengths near the visible light wavelengths.
- In *day mode*, the camera uses visible light to deliver color video.
- In *night mode*, the camera picks up IR light as well and uses it to deliver high-quality grayscale video.
- The camera switches from *day mode* to *night mode* when the ambient light has diminished below a set level of intensity.
- Note that day-and-night cameras are not thermal cameras. Thermal cameras use a different part of the IR spectrum.

IR light sources

- IR-LED illumination is a power-efficient and discreet way to enable surveillance in the dark where ordinary lighting is unsuitable.
- IR light is also naturally prevalent in sunlight and moonlight.
- Cameras with built-in IR LEDs are a handy solution because they require no extra cabling, device, nor power supply for the lighting.
- Camera-integrated IR LED lighting is uniquely adapted to the specific camera and its features.
- Standalone IR illuminators are suitable in some cases because they are generally more powerful and reach further.

OptimizedIR

- Axis OptimizedIR is an advanced camera-integrated IR solution that combines camera intelligence and sophisticated LED technology.
- OptimizedIR is tailored in each camera model. Typically, it includes patented technology for even illumination in the camera's variable field of view, extremely efficient heat management, and long-range, high-quality LEDs that are fine tuned to the camera.
- OptimizedIR is in constant development with new advanced features being added.

Table of Contents

1	Introduction	4
2	Light sensitivity and the electromagnetic spectrum	4
3	IR imaging and IR illumination	5
	3.1 Day-and-night cameras	5
	3.2 Why use IR imaging instead of a thermal camera?	7
	3.3 Why use IR illumination instead of visible-light illumination?	8
4	Camera-integrated or standalone IR illumination?	8
	4.1 General IR illuminator requirements	8
	4.2 Integrated illuminators	8
	4.3 Standalone illuminators	9
5	Axis OptimizedIR	10
	5.1 Flexible illumination angle	10
	5.2 Adjustable light intensities	10
	5.3 Power efficiency and durability	11
	5.4 PTZ camera customization	11
6	Safety in Axis IR equipment	11

1 Introduction

Most cameras can use both visible light and near-infrared (IR) light to produce images or video. By adding artificial IR illumination to a scene, it is possible to achieve high-quality video even in completely dark environments.

This white paper describes why IR illumination is widely used in surveillance. It discusses both camera-integrated and standalone illuminators, as well as the unique combination of IR solutions that is labeled Axis OptimizedIR.

2 Light sensitivity and the electromagnetic spectrum

Light consists of discrete bundles of energy, called photons. The image sensor in a camera holds millions of photo-sensitive spots, pixels, that detect the number of incoming photons. The camera uses this information to create an image.

Light also comes with different energy, or different wavelengths. The ability of a camera sensor to detect photons is dependent on their wavelength. Visible light photons, with wavelengths between $0.4 \mu\text{m}$ (micrometers) and $0.7 \mu\text{m}$, are generally detected, but the sensor can usually also detect photons with slightly longer wavelengths ($0.7\text{--}1.5 \mu\text{m}$) in the near-infrared part of the electromagnetic spectrum. Such light is naturally prevalent, for instance in sunlight, but can be added using artificial light sources as well.

Photons with even longer wavelengths, in the LWIR (long wave infrared) part of the spectrum, can be detected by a thermal camera sensor. LWIR light is heat radiation, naturally emitted by all living and non-living objects. In thermal camera images, warmer objects (such as people and animals) stand out from typically cooler backgrounds.

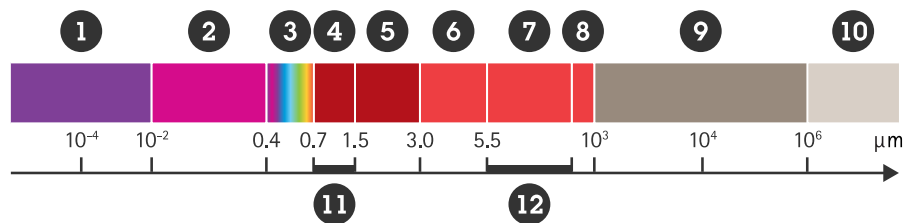


Figure 1. The spectrum of electromagnetic radiation. IR illuminators work in the near-infrared region (11) and thermal cameras work in the long-wavelength IR region (12).

1. X-rays
2. Ultraviolet light
3. Visible light
4. Near-infrared (NIR) radiation (approximately $0.7\text{--}1.5 \mu\text{m}$)
5. Short-wavelength infrared (SWIR) radiation ($1.5\text{--}3 \mu\text{m}$)
6. Mid-wavelength infrared (MWIR) radiation ($3\text{--}5 \mu\text{m}$)
7. Long-wavelength infrared (LWIR) radiation ($8\text{--}14 \mu\text{m}$)
8. Far-infrared (FIR) radiation (approximately $15\text{--}1,000 \mu\text{m}$)
9. Microwave radiation
10. Radio/TV wavelengths
11. IR illumination
12. Axis thermal cameras

In low light, there are fewer photons available that can reach the camera sensor. Cameras with Axis Lightfinder technology have extreme light sensitivity thanks to a balanced combination of sensor, lens, and fine-tuned image processing, which enables the camera to create color images using very few photons. However, when the scene is too dark, there are too few visible-light photons for the sensor to register. In such extreme low light scenes, the visible light (and color imaging) must be abandoned, and the spectrum must be broadened to include either near-IR wavelengths (using a day-and-night camera) or long-wave infrared wavelengths (using a thermal camera) in order to detect anything.

3 IR imaging and IR illumination

Using IR-LED illumination is a power-efficient and discreet way to enable surveillance in the dark. For imaging in complete darkness, IR light must be added using either standalone or camera-integrated IR illuminators.

Cameras that can use IR light for imaging have so called *day-and-night functionality*, or are *day-and-night cameras*. They can employ either natural IR light, such as moonlight, or artificial, from incandescent light bulbs or a dedicated IR light source. All cameras that have built-in IR illumination are day-and-night cameras, but a day-and-night camera does not necessarily have built-in illumination. Axis cameras with integrated IR illuminators are distinguished by the product name extension "-L" for LED, light-emitting diode.

Both camera-integrated and standalone illumination normally use IR light with a wavelength of 850 nm. Being so close to visible-light wavelengths, the IR LEDs produce a faint red glow that may be visible. IR LEDs are also available with 940 nm, which lowers the risk of producing visible glow. However, camera sensors are slightly less sensitive to that wavelength as shown in the next diagram.

Axis Lightfinder technology works with IR light as well as with visible light. A camera with Lightfinder enables the IR illumination to reach further, and makes natural IR light far away in the scene more visible.

3.1 Day-and-night cameras

Day-and-night cameras can switch between two modes: day mode and night mode. In day mode, the camera uses visible light and delivers color video. As light diminishes below a certain level of intensity, the

camera automatically switches to night mode, where both visible and near-infrared light is picked up to deliver high-quality, grayscale video.

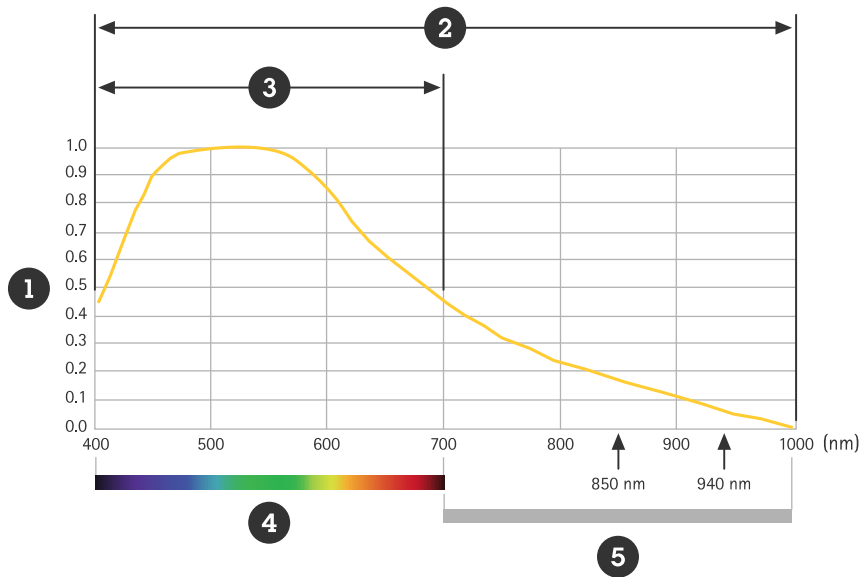


Figure 2. Graph showing how an image sensor responds to visible and NIR light.

1. Relative sensor sensitivity
2. Wavelengths used in night mode
3. Wavelengths used in day mode
4. Visible light
5. Near-infrared light

Switching between day mode and night mode is accomplished using a mechanically removable IR-cut filter. In day mode, the filter prevents any naturally occurring IR light from reaching the camera sensor, in order not to distort the colors of the video. In night mode, the filter is removed, increasing the camera's light sensitivity by allowing IR light to hit the sensor. Since the IR light leaks through all three color filter types (RGB) on the sensor, the color information is lost and the camera can no longer deliver a color image.

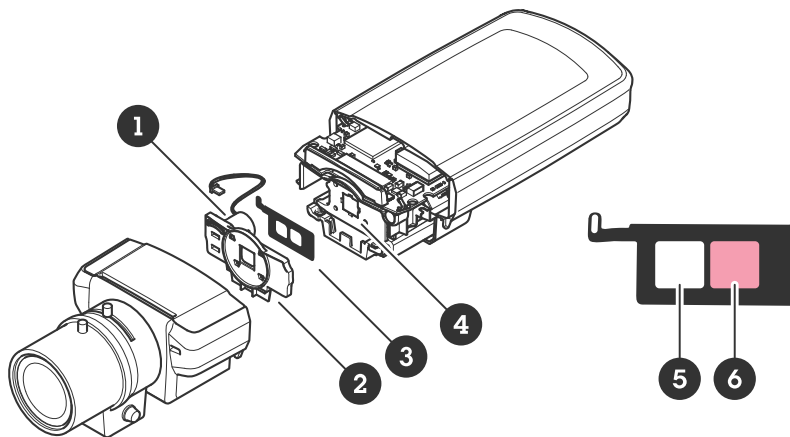


Figure 3. IR-cut (day/night) filter on an optical holder that, in this camera, slides sideways. The red-hued filter is used during the day to prevent IR light from reaching the camera sensor. The clear part is used at night.

1. Solenoid
2. Front guard
3. Optical holder
4. Image sensor
5. Night filter
6. Day filter

The grayscale video delivered during night mode accommodates the human eye's inability to see IR light. But materials with certain reflective properties may sometimes be represented in unexpected grayscale hues, for example, a dark jacket could appear to be of a much lighter nuance, and vice versa.

3.2 Why use IR imaging instead of a thermal camera?

Usable video in complete darkness can be provided by thermal cameras, as well as by visual cameras with IR illumination. Thermal cameras do not need any light source since they detect only heat radiation, naturally emitted by all objects.



Figure 4. Images comparing day-and-night camera and thermal camera, both captured in darkness.

Left: Image from a day-and-night camera with integrated IR illumination.

Right: Image from a thermal camera, passively detecting heat radiation.

The two camera technologies generally serve different purposes: thermal cameras mainly detect presence, while IR cameras can, depending on the conditions, be used to recognize or identify individuals. Cameras with built-in IR can thereby be used for complete, standalone surveillance, but can also be integrated into a larger, diversified, surveillance system. Thermal cameras, on the other hand, can very well complement a surveillance system, but not replace it; visual cameras are generally needed somewhere in the system for identification.

Thermal cameras have an impressive range of detection, counting in kilometers, but they are expensive to buy. The range of a visual camera with IR illumination depends on the resolution of the camera and how far the illumination reaches. For Axis IR products, the datasheets provide information about the illumination reach, as assessed outdoors at night, for real objects in real scenes.

Thermal cameras cannot see through glass, but visual cameras using IR illumination can. The effects of this aspect depend on the circumstances and the surveillance purposes. For example, using a thermal camera could be beneficial in indoor surveillance since it would prevent accidental filming out the windows, where surveillance may not be permitted.

For more information about thermal camera technology, see: www.axis.com/technologies/thermal-imaging

3.3 Why use IR illumination instead of visible-light illumination?

In locations where artificial white light illumination is restricted, or where it would be too intrusive, IR illumination provides a way to make surveillance possible.

One example is in nighttime traffic surveillance, where white light could be too disturbing for the drivers. IR also benefits from enabling very discreet surveillance, strategically useful in many scenarios, apart from not adding to general light pollution. The deterrent effect of visible light illuminators is, however, often preferred.

IR illumination can be used when it is not critical to capture color information. But grayscale video also has a significantly lower bitrate than color video, which means that bandwidth and storage needs are minimized.

The superior contrast and low noise levels delivered by a day-and-night camera with IR illumination also makes it particularly suitable both for video analytics and for night-time surveillance of high-speed objects, such as, again, traffic surveillance. License plate recognition (LPR) is a video analytics application that, in some cases, benefits from IR-illuminated video. License plates reflect much more IR light than any other objects in the image, enabling the LPR algorithm to react on license plates and nothing else. Any unauthorized modifications to license plates are also easily detected.

4 Camera-integrated or standalone IR illumination?

Artificial IR illumination can be supplied by standalone IR illuminators or be integrated into the camera. Surveillance applications may benefit from using both types simultaneously. Standalone illuminators are generally more powerful and reach further, but camera-integrated illuminators may be more suitable at shorter range, due to them being uniquely adapted and tailored to the specific camera with its features, zoom levels, and so on.

4.1 General IR illuminator requirements

An IR illuminator, whether camera-integrated or standalone, should provide a uniform light field within the camera's whole field of view. It should have a long reach, but also avoid causing the camera to overexpose objects that are close by. This generally requires a camera with wide dynamic range.

IR illuminators should have integrated visual light detectors and automatically shut down, for power saving, during day or when other light sources provide enough light. Overheating of the LEDs must also be avoided, to enable long LED life.

4.2 Integrated illuminators

With camera and illumination in one device, the complete installation is more discreet. This is especially important for surveillance in older or listed buildings, such as museums and historical buildings.

Axis cameras with built-in IR are easy to install and integrate. They do not require any external cables or extra power supply since their low-power IR LEDs are powered from the camera, using Power over Ethernet

(PoE). A system with camera-integrated illumination can also be less expensive, with fewer components to install, and, consequently, fewer components to perform service and other maintenance on.

On some cameras, the IR LEDs are located on areas that are isolated from the lens, and a shielded dome prevents IR reflections against waterdrops or snow on the dome. This ensures consistently clear, sharp images. On other cameras with integrated IR illumination you can use a weathershield to minimize water and snow on the dome.



Figure 5. Axis cameras with integrated IR LEDs.

Left: This camera has two IR LEDs below the lens, and a weathershield that protects the dome from waterdrops in case of rain.

Right: This camera has two IR LEDs that are located behind the shielded parts of the dome, on an area that is isolated from the lens.

4.3 Standalone illuminators



Figure 6. Standalone IR LED illuminators, to be used with a day-and-night cameras.

Standalone IR illuminators, to be used with day-and-night cameras, generally provide a longer reach than camera-integrated IR illumination, since they use a larger number of LEDs and give more light. They also allow the camera to be aimed more freely.

Since light and camera lens are more physically separated when standalone illuminators are used, compared to camera-integrated IR, insects and dirt that are naturally drawn to the light do not get so close to the lens that they can affect the video.

When using standalone illuminators, it should be ensured that the illumination matches the scene. A too narrowly illuminated area will cause white out or glare in the middle of the scene and inadequate illumination at wider angles. On the other hand, a too widely illuminated area entails both a reduced light reach in the forward direction, and the unnecessary illumination of objects that are outside the area of interest.

Standalone illuminators from Axis come with exchangeable, diverging lenses, to enable an illumination width that suits the scene. Since any adjustments of the illuminators must be done manually on site, standalone illuminators are best used with cameras that keep a rather constant zoom level and field of view.

5 Axis OptimizedIR

Axis cameras with OptimizedIR provide a unique and powerful combination of camera intelligence and sophisticated LED technology using Axis most advanced camera-integrated IR solutions. Examples include a patented technology for assuring an even illumination in the camera's variable field of view, extremely efficient heat management, and the use of long-range, high-quality LEDs that are fine tuned to the camera. OptimizedIR is tailored in each camera model, and may consist of different solutions depending on the camera's specific prerequisites and functionalities. OptimizedIR is also in constant development, with new advanced features being added.

5.1 Flexible illumination angle

One feature of OptimizedIR, used in selected, remote-zoom cameras, is that the angle of illumination can adapt to the zoom level. Using high-precision, custom-made lenses, the IR LEDs provide an illumination angle that follows the camera's zoom movements to always provide the right amount of light. The entire field of view is evenly illuminated, resulting in well-exposed, high-quality, low-noise video, also when the environment is completely dark.

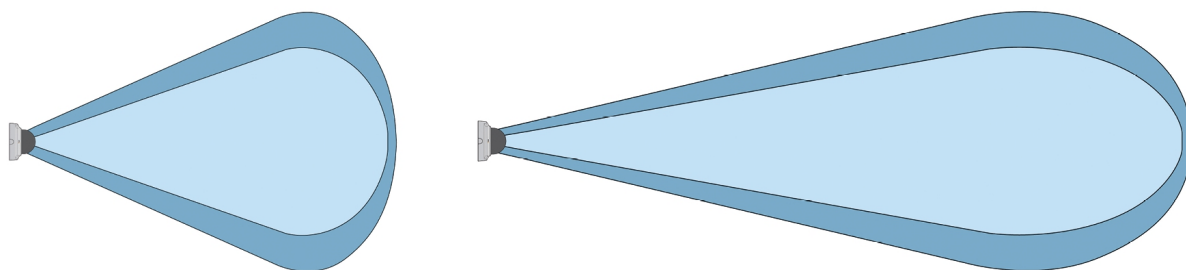


Figure 7. In some cameras, OptimizedIR controls the IR illumination angle to follow any adjustments made in the camera field of view.

Left: The IR illumination angle is slightly larger than the camera's angle of view to ensure even illumination within the whole camera view (light blue).

Right: If the camera's angle of view is decreased, the IR illumination angle is automatically decreased too.

5.2 Adjustable light intensities

In some of Axis most advanced solutions, the intensity of the camera-integrated LEDs can be manually or automatically adjusted. If needed for optimal image quality, individual lights can be either dimmed or turned off remotely via the web interface.

The camera automatically adjusts the exposure for optimal image quality. When installed close to a wall or a corner, it can also be beneficial for the camera to automatically dim the LEDs located closest to that wall or corner, in order to avoid reflections that could otherwise saturate parts of the image.

Depending on the installation environment and the conditions around the camera, for example, external light sources in the scene, manual intensity adjustments of individual LEDs may also be useful for customizing the IR illumination.

5.3 Power efficiency and durability

OptimizedIR is based on extremely power-efficient LEDs. Due to the minimal heat dissipation, PoE is enough to power them, and no additional power cables are needed.

The LEDs are high-quality and durable, and their life is further prolonged because of their low heat generation. With a lower operating temperature, the LEDs last longer. OptimizedIR is a power-efficient technology also because it illuminates the scene evenly and minimizes the amount of light outside the view. This is achieved by using few LEDs, with an optimized mechanical design.

5.4 PTZ camera customization

Thanks to advanced heat management solutions and sophisticated camera features, Axis offers OptimizedIR also in selected pan-tilt-zoom (PTZ) cameras. Using several LEDs with different lenses and variable light intensities, the resulting illumination is optimally adjusted for the field of view and zoom factor. Whether the camera is panning, tilting, or zooming, the IR light beam adapts seamlessly to the camera view.

For a discreet design of a PTZ camera, any integrated LEDs must be located close to the image sensor, without being connected to any external heatsink. This makes cooling of the LEDs critical.

Axis PTZ cameras with OptimizedIR use heatpipes for conducting LED-generated heat away from both the sensor and the LEDs, allowing those to maintain a suitable operating temperature. This enables the sensor to produce high-quality, low-noise images, and ensures long LED life. The heat management solution also enables a compact and directionally discreet dome design, which, together with the near-infrared lighting of OptimizedIR, provides fully discreet surveillance.

6 Safety in Axis IR equipment

Axis cameras are safe to use according to the European standard EN 62471:2008, based on the international standard IEC 62471. Complying with this standard, the cameras and their built-in illumination are not harmful to the eyes of any living creature looking straight at the camera.

About Axis Communications

Axis enables a smarter and safer world by creating solutions for improving security and business performance. As a network technology company and industry leader, Axis offers solutions in video surveillance, access control, intercom, and audio systems. They are enhanced by intelligent analytics applications and supported by high-quality training.

Axis has around 4,000 dedicated employees in over 50 countries and collaborates with technology and system integration partners worldwide to deliver customer solutions. Axis was founded in 1984, and the headquarters are in Lund, Sweden